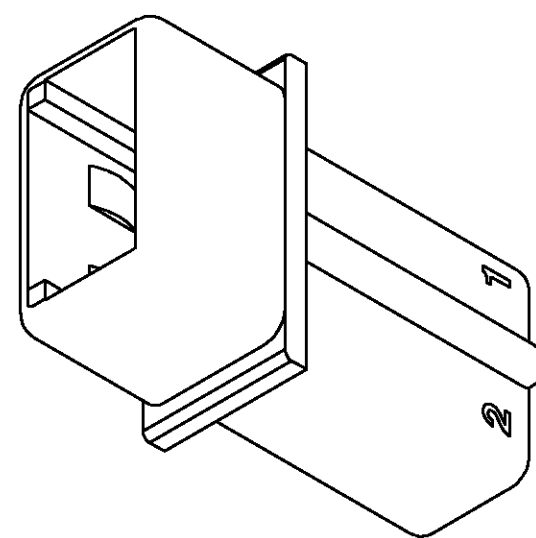
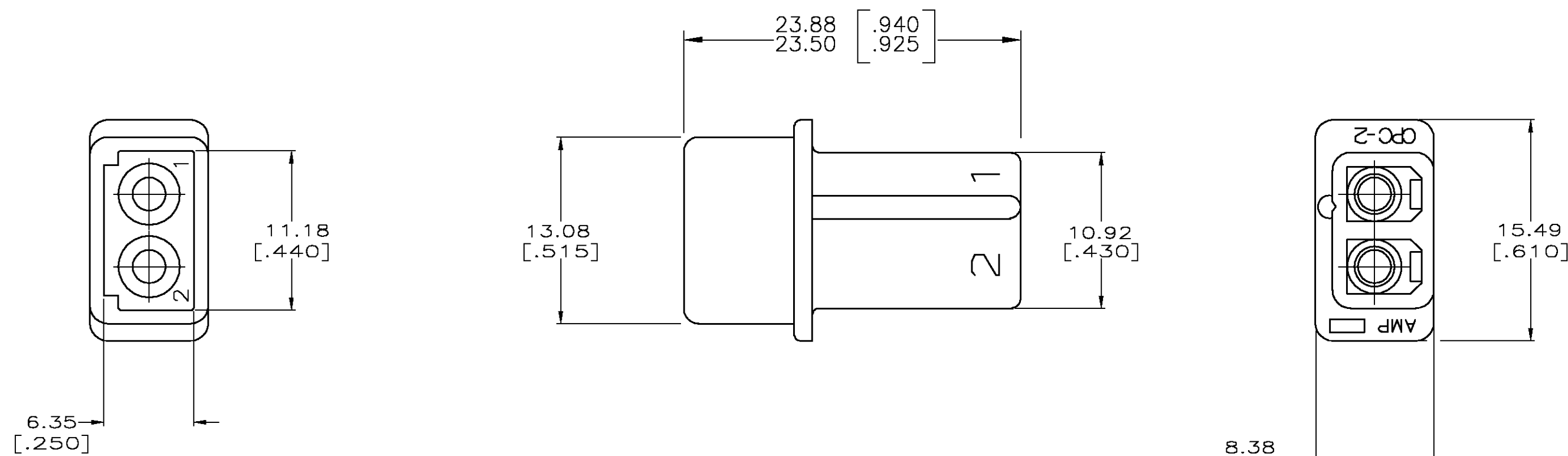


THIS DRAWING IS UNPUBLISHED. RELEASED FOR PUBLICATION
 © COPYRIGHT BY TYCO ELECTRONICS CORPORATION. ALL RIGHTS RESERVED.

LOC	DIST	REVISIONS			
P	LTR	DESCRIPTION	DATE	OWN	APVD
CM	00				
	N	REVISED PER OG3B-0143-04	18-FEB-04	KW	DC

1. THIS CAP TO BE USED WITH PLUG NO. 480318.
2. TO BE USED WITH APPROPRIATE COMMERCIAL MATE-N-LOK PINS.
3. DIMENSIONS IN BRACKETS ARE IN INCHES.



3-DIMENSIONAL MODELS
NTS

METRIC

BLACK	1-480319-9
YELLOW	1-480319-4
NATURAL	1-480319-0
COLOR	PART NO

THIS DRAWING IS A CONTROLLED DOCUMENT.		OWN K. WHITAKER	18-FEB-04	 Tyco Electronics Corporation Harrisburg, Pa 17105-3608
DIMENSIONS: mm [INCHES]		CHK D. COLEY	18-FEB-04	
TOLERANCES UNLESS OTHERWISE SPECIFIED:		APVD D. COLEY	18-FEB-04	NAME CAP, 2 CIRCUIT, COMMERCIAL MATE-N-LOK™
0 PLC ± -		PRODUCT SPEC		SIZE A2
1 PLC ± -		APPLICATION SPEC		CAGE CODE 00779
2 PLC ± 0.13 [.005]		WEIGHT		DRAWING NO 480319
3 PLC ± -		FINISH		RESTRICTED TO
4 PLC ± -		MATERIAL UL94V-2,NYLON		
ANGLES ± -		CUSTOMER DRAWING		SCALE 4:1
				SHEET 1 OF 1
				REV N